

**POWDER  
DIAPHRAGM  
PUMP**

BSK Fluid Technology LLC  
Add: 2300 McDermott RD Ste200-336 Plano,  
Tx75025 U.S.A  
E-mail: [sales@bskfluid.com](mailto:sales@bskfluid.com)  
<http://www.bskfluid.com>

SN:BSK-EN-G-202112

High efficiency/Energy Conservation/Reliable



# CONTENTS

**Feature  
&  
Advantage**

**01  
—  
04**

**Model&Pump Data**  
▶ PA50(2")  
▶ PA80(3")

**05  
—  
08**

**Connection  
Application  
Advantage**

**11  
—  
14**

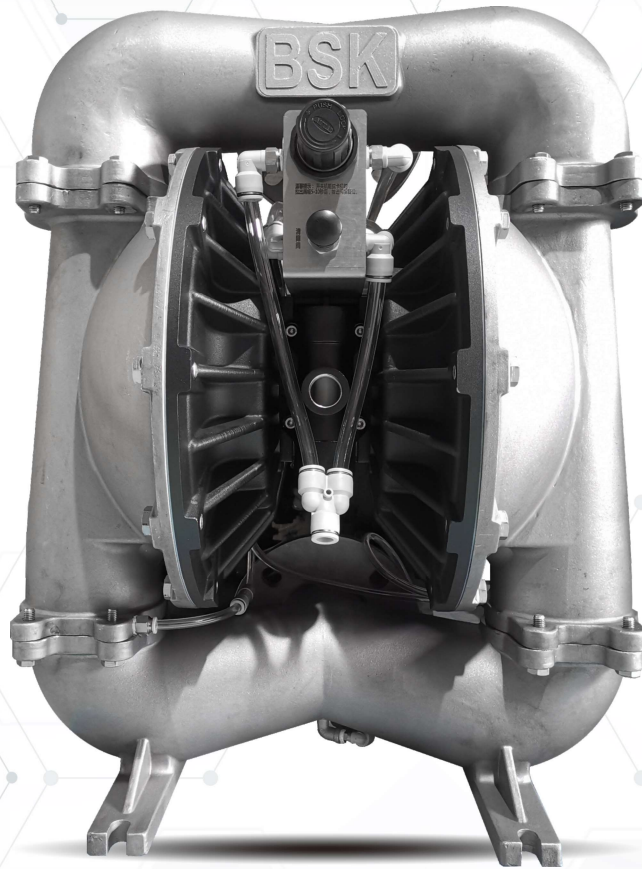
**One key reset**

Easy to operate

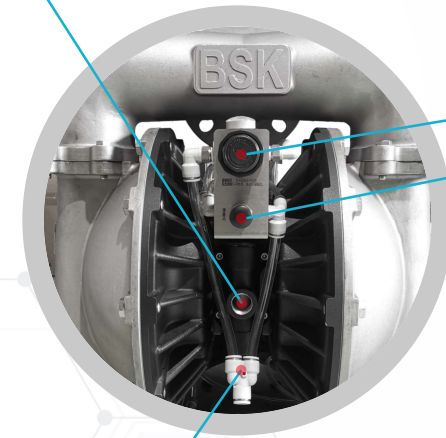
**High energy efficiency**

**High bulk density powder**

Up to 1200kg/m<sup>3</sup>



A1 (Main air valve)	3/4"–14 NPT
Air filtration requirement	50 μ m
PA50 Air supply capacity	≥ 2 Nm <sup>3</sup> /min
PA80 Air supply capacity	≥ 3 Nm <sup>3</sup> /min



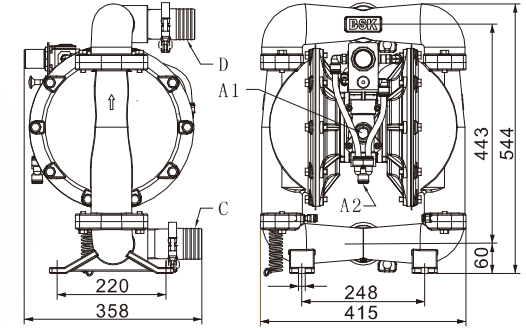
V1 (Regulator)  
V2 (Button for clearance)

A2 Fluidizing air inlet	12mm (Inner hole)
Air filtration requirement	50 μ m
Air supply capacity	≥ 1 Nm <sup>3</sup> /min

# PA50 **XX-X X X X-X**

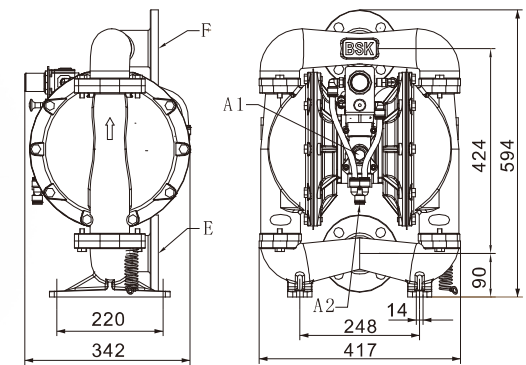
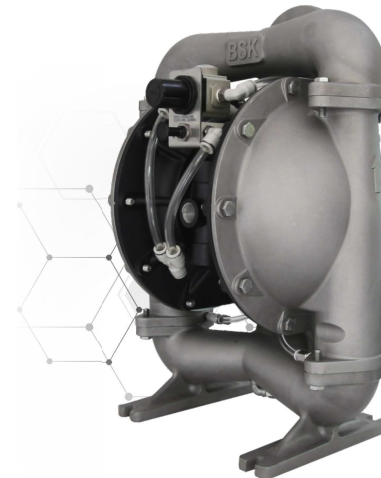
- Suction/Discharge Port**  
F – Pagoda-sharpe C - Flange
- Valve Seat O-ring Materials**  
1 - NBR 3 - PTFE(Full)
- Diaphragm Materials**  
9-Santoprene T- PTFE/Santoprene®
- Valve Ball Materials**  
T - PTFE P - PP
- Valve Seat Materials**  
P - PP S - Stainless steel T -PTFE
- Wetted Materials**  
AL – Aluminum alloy SS - Stainless steel

## PA50AL-XXXX-F



A1	Air inlet	3/4" NPT
A2	Air inlet	Ø12mm(Inner)
C	Fluid inlet	Ø63mm(Outer)
D	Fluid outlet	Ø63mm(Outer)
E	Fluid inlet	2" ANSI/DIN(Flange)
F	Fluid outlet	2" ANSI/DIN(Flange)

## PA50SS-XXXX-C



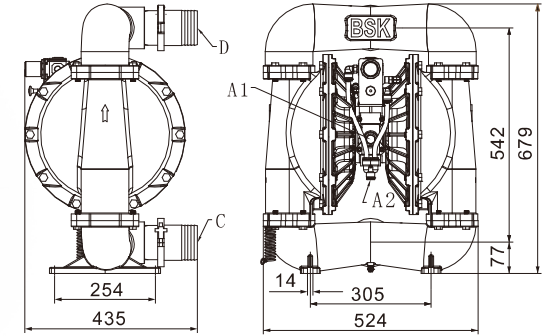
Model	PA50-X
Connection diameter	63mm Pagoda
Powder application	≤1200 kg/m³
Flow rate*(1)	6.5 T/Hr
Head	≤ 30 M
Max. air inlet pressure	8.3 Bar
Max. Fluidizing air pressure	6.9 Bar

Note: \* (1)Starch, @ air supply 1.7m³/min

PA80 **XX-X X X X-X**

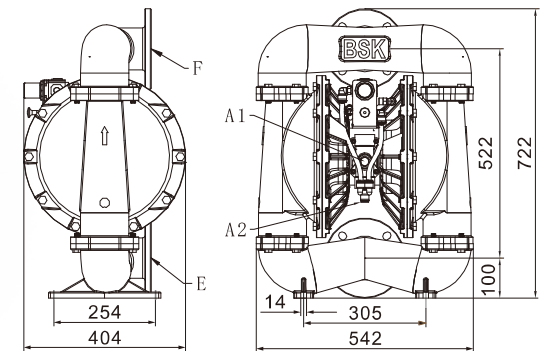
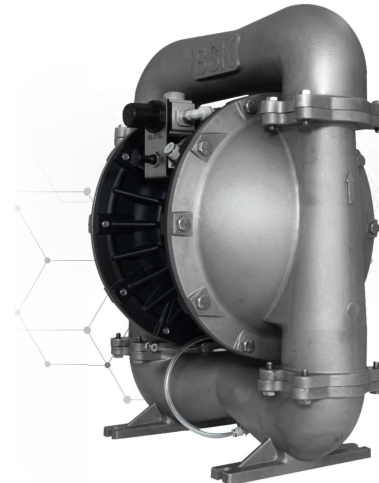
- Suction/Discharge Port**  
F – Pagoda-sharpe C - Flange
- Valve Seat O-ring Materials**  
1 - NBR 3 - PTFE(Full)
- Diaphragm Materials**  
9-Santoprene T- PTFE/Santoprene®
- Valve Ball Materials**  
T - PTFE P - PP
- Valve Seat Materials**  
P - PP S - Stainless steel T -PTFE
- Wetted Materials**  
AL – Aluminum alloy SS - Stainless steel

PA80AL-XXXX-F



A1	Air inlet	3/8" NPT
A2	Air inlet	Ø12mm(Inner)
C	Fluid inlet	Ø89mm(Outer)
D	Fluid outlet	Ø89mm(Outer)
E	Fluid inlet	3" ANSI/DIN(Flange)
F	Fluid outlet	3" ANSI/DIN(Flange)

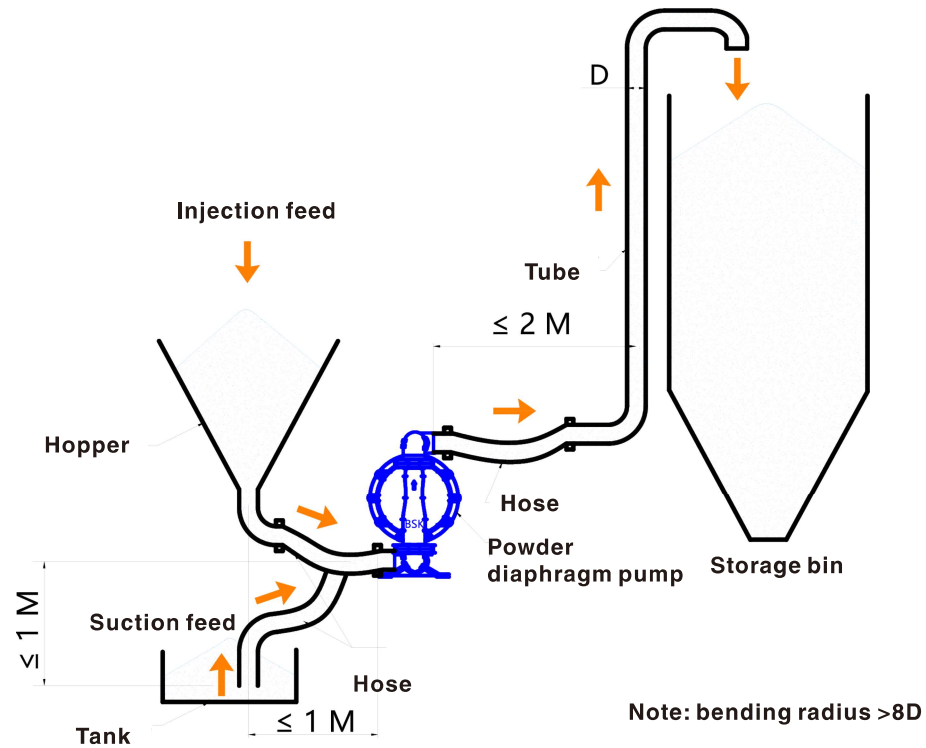
PA80SS-XXXX-C



Model	PA80-X
Connection diameter	89mmPagoda
Powder application	≤1200 kg/m³
Flow rate*(1)	10.1 T/Hr
Head	≤ 30 M
Max. air inlet pressure	8.3 Bar
Max. Fluidizing air pressure	6.9 Bar

Note:\* (1)Starch, @ air supply 2.3m³/min

## Typical connection diagram



## Application

